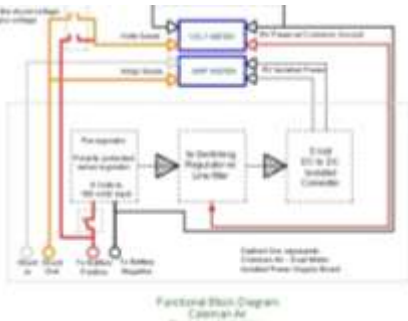


Industrial Diagrams and Schematic Reading



Purpose: This course aims to give those without any significant schematic or diagram experience the basic understanding necessary to read, interrupt and trace components on an electrical, fluid power or ladder diagram. You will walk away with a basic understanding of how to read diagrams and perform a basic troubleshooting to determine a non functional component.

Who: The following personnel will benefit from our basic electrical training seminar:

- Mechanics
- HVAC Technicians
- Machine Operators
- Apprentices
- Non-Electrical Engineers
- Building Engineers
- Stationary Engineers
- Multi-Craft & Cross Training Personnel

Prerequisites: Basic electricity and basic fluid power understanding

Overview: This 24 hour seminar will acquaint the student with the theory and hands on applications to identify and read industrial diagrams and schematics. The course covers symbols and components of electrical, motor control and fluid power drawings then reading diagrams and schematics to trace specific components to determine common problems. Last, students will be introduced to the basics of ladder logic and common PLC applications.

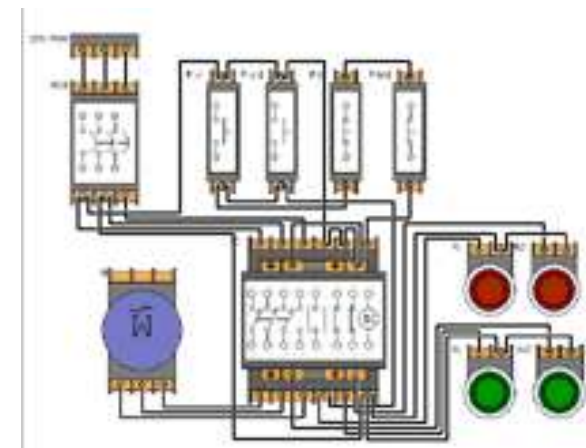
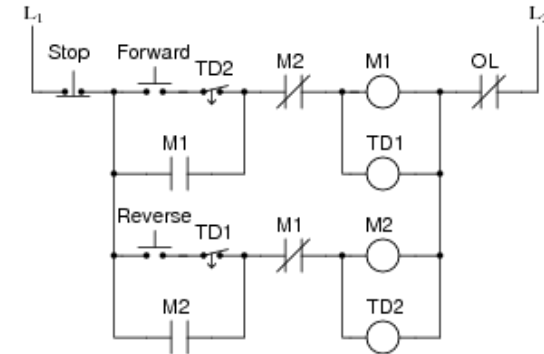
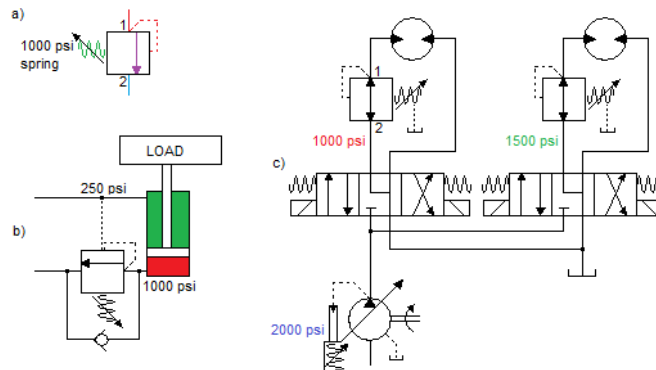
When: Sept 23 – Oct 9, 2013. Mondays & Wednesdays, 11:30 am to 3:30 pm

Where:

PMI
764 Bessemer Street
Meadville PA
Room 209

Cost: \$675.00.

Register by: Sept 11, 2013



To register please fill out the "Industry Student Signup Sheet" on the website and send to spinneweber@pmionline.edu